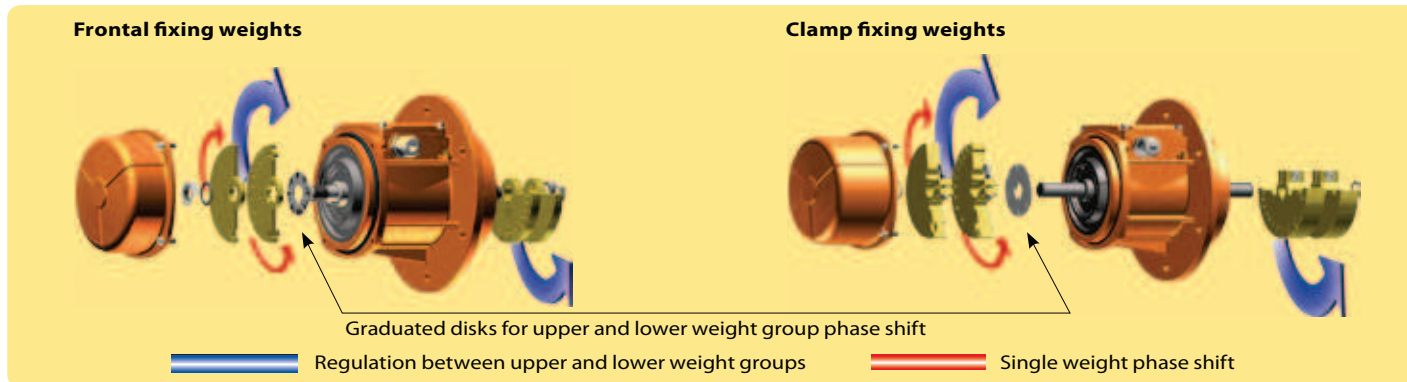


## 4 poles - 1500/1800 rpm

	Description			Mechanical specifications						Electrical specifications									
	Code	Type	SIZE	Centrifugal force (A/B)*				Weight		Temp. class (G)	Temp. class (D)	Max input power		Power rating		Max. current		t <sub>E</sub> (s)	I <sub>s</sub> /I <sub>N</sub>
				kg	kN	kg	kg	50 Hz	60 Hz			50 Hz	60 Hz	W	W	400 V 50 Hz	460 V 60 Hz		
three-phase	6E1403	MTF 15/200E-S02	10	106/74	107/107	1.04/0.72	1.05/1.05	14.0	13.2	T3 T4	120°C	203 170	- 175	90 94	- 95	0.45 0.39	- 0.40	35 28	2.04 2.34
	6E1405	MTF 15/400E-S02	20	205/142	205/205	2.01/1.39	2.01/2.01	20.6	19.8	T3 T4	120°C	300 285	320 270	200 180	230 200	0.57 0.52	0.52 0.46	18 16	3.33 3.63
	6E1406	MTF 15/550E-S02	20	276/205	295/295	2.70/2.01	2.70/2.70	22.0	20.6	T3 T4	120°C	300 285	320 270	200 180	230 200	0.57 0.52	0.52 0.46	18 16	3.33 3.63
	6E1407	MTF 15/700E-S02	30	360/263	380/380	3.53/2.58	3.73/3.73	26.0	24.5	T3 T4	120°C	460 360	500 420	310 240	380 210	0.86 0.72	0.85 0.70	17 12	3.50 4.20
	6E1280	MTF 15/1100E-S90 Δ	40	522/522	491/491	5.12/5.12	4.82/4.82	36.0	31.4	T3 T4	120°C	900 630	950 700	660 460	730 505	1.38 1.05	1.32 1.00	13 8	4.00 5.36
	6E1379	MTF 15/1710E-S02-VRS	50	894/322	878/355	8.77/3.16	8.61/3.48	44.0	41.5	T3 T4	150°C	1100 630	1150 700	730 480	800 530	1.90 1.33	1.82 1.27	9 5.5	4.95 7.00
	6E1380	MTF 15/2000E-S02-VRS	50	1021/357	1017/390	10.0/3.50	9.98/3.83	48.0	45.5	T3 T4	150°C	1100 630	1150 700	730 480	800 530	1.90 1.33	1.82 1.27	9 5.5	4.95 7.00
	6E1381	MTF 15/3810E-S02-VRS	70	1908/707	1872/718	18.7/6.94	18.4/7.04	100	93	T3 T4	135°C	2200 1850	2400 1950	1780 1500	1960 1650	3.71 3.14	3.50 3.00	6 6	7.17 8.42

\* Listed as A/B: total centrifugal force is the sum of centrifugal force of top weights (A) and centrifugal force of bottom weights (B).  
 Δ Supplied without weight covers on both sides. t<sub>E</sub> (s) = set time t<sub>E</sub> from IEC/EN 60079-7. I<sub>s</sub>/I<sub>N</sub> = ratio between start-up current and maximum current.

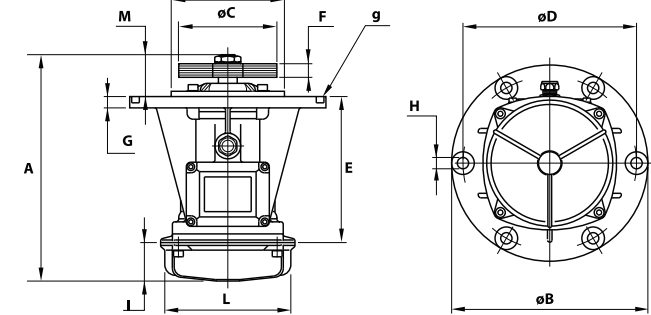
## Weight adjustment



## 4 poles - 1500/1800 rpm

three-phase	Type	Dimensional specifications (mm)															
		Fig.	A	øB	øC	Holes			E	F	G	I	L	M	øP	Cable entry thread	Seal g
	MTF 15/200E-S02	G	292.5	215	114 (50Hz) 108 (60Hz)	<b>187</b>	<b>12</b>	<b>4</b>	179.5	48 (50Hz) 40 (60Hz)	13	77	127	36	-	M20x1,5	OR 4625
	MTF 15/400E-S02	G	335.5	245	130	<b>205</b>	<b>12</b>	<b>6</b>	124	59 (50Hz) 42 (60Hz)	12	93	145	118.5	162	M25x1,5	OR 4700
	MTF 15/550E-S02	G	376.5	245	130	<b>205</b>	<b>12</b>	<b>6</b>	124	79 (50Hz) 59 (60Hz)	12	114	145	138.5	162	M25x1,5	OR 4700
	MTF 15/700E-S02	G	380.5	260	154	<b>230</b>	<b>15</b>	<b>6</b>	182	59 (50Hz) 46 (60Hz)	15	106	170	92.5	150	M25x1,5	OR 4800
	MTF 15/1100E-S90 Δ	G	426	279	190	<b>254</b>	<b>14</b>	<b>4</b>	-	49	17.5	57.5	-	84.5	229	M25x1,5	-
	MTF 15/1710E-S02-VRS	G	488	350	190	<b>290</b>	<b>17</b>	<b>6</b>	232	84 (50Hz) 58 (60Hz)	18	134	209	122	172	M25x1,5	-
	MTF 15/2000E-S02-VRS	G	561	350	190	<b>290</b>	<b>17</b>	<b>6</b>	232	96 (50Hz) 66 (60Hz)	18	171	209	158	172	M25x1,5	-
	MTF 15/3810E-S02-VRS	G	614	410	250 (50Hz) 244 (60Hz)	<b>350</b>	<b>22</b>	<b>6</b>	310	78 (50Hz) 58 (60Hz)	20	178	280	125.5	234	M25x1,5	-

Fig. G



## Weight adjustment

