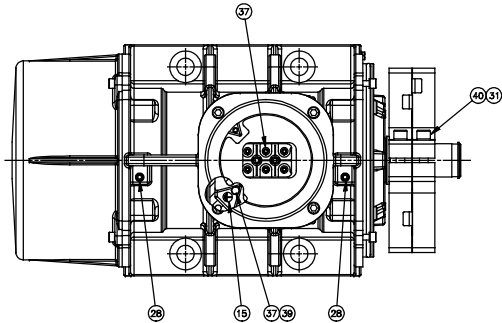


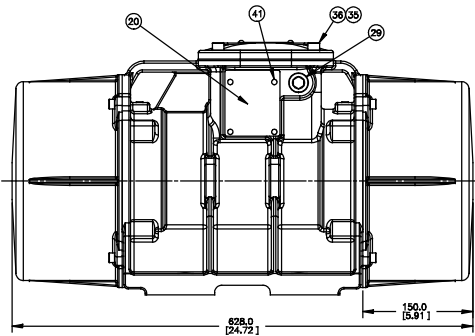
PART NUMBER	P/N ITEM #	P/N ITEM #	WEIGHT IN KILOGRAMS
MX175X04	810004	807004-SOE	146.1
MX175X04	810004	807004-SOF	135.3
MX175X04	810004-DAF	807004-SOF	135.5

PART NUMBER	P/N ITEM #
MX175X04	801004-M
MX175X04	801004-MM
MX175X04	801004-MV

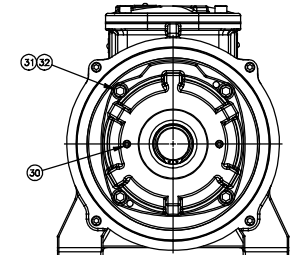
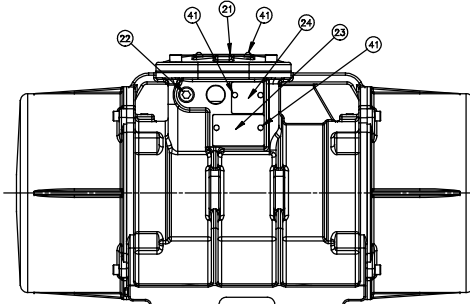
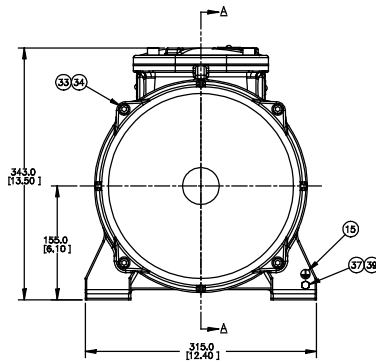
NAMEPLATE STAMPING DETAIL #2	
PART NUMBER	TYPE
MX175X04	MIX18-9750
MX175X04	MX18-9750
MX175X04	MX18-9750



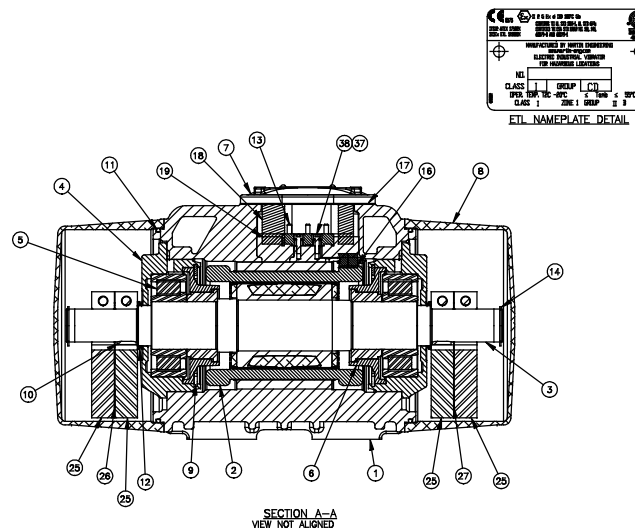
WEIGHT COVER AND TERMINAL BOX COVER REMOVED



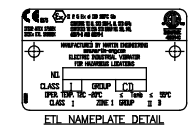
MX170X04 SHOWN



WEIGHT COVERS, WEIGHTS, AND ADJUSTMENT DISK REMOVED



SECTION A-A
VIEW NOT ALIGNED



ITEM	QTY	DESCRIPTION	PART NUMBER	ITEM TYPE
1	1	CASE CASTING 75 FRAME	SEE CHART	N
2	1	STATOR 4 POLE 75 FR	SEE CHART	N
3	1	SHAFT ASM 75 FRAME 4 POLE	803005	P
4	2	FLANGE BEARING 75 FRAME	802004	P
5	2	BEARING CYLINDRICAL ROLLER NU231SECP	508851	P
6	2	BEARING COVER 75 FRAME	804004	P
7	1	TERMINAL BOX COVER	808001	P
8	2	WEIGHT COVER ALUMINUM 75 FRAME	805005-AL	P
9	2	RETAINING RING INTERNAL 6.25	816002	P
10	2	KEY 14 X 9 X 25 MM	809001	P
11	2	O-RING #377-10.00 LD X .210 CS	818003	P
12	2	Y-RING SHAFT SEAL 55MM	502043	P
13	1	TERMINAL BLOCK	812001	P
14	2	SNAP RING EXTERNAL M45	500963	P
15	2	STICKER GROUND SYMBOL	821001	P
16	1	CABLE PROTECTION SHEATH	814001	P
17	1	O-RING #289-6.25 LD X .139 CS	818002	P
18	1	RUBBER BLOCK	813001	P
19	1	RUBBER BLOCK SMALL	813002	P
20	1	NAMEPLATE MOUNT SS FOR MX1 / MSVX FP	820008	P
21	1	NAMEPLATE CAUTION DISCONNECT	518147	P N
22	1	PLUG 1/2 NPT INTERNAL HEX FLAM FINISH	39286	P
23	1	NAMEPLATE ETL CLASS I	820002	P
24	1	NAMEPLATE SS WARNING CONDUIT SEAL 75 FR	820008	P
25	4	WEIGHT ECCENTRIC FIXED	SEE CHART	N
26	1	WEIGHT ADJUSTMENT DISK	808001-B	N
27	1	WEIGHT ADJUSTMENT DISK	808001-A	N
28	2	PLUG 1/8-27NPT DRYSEAL	509059	P
29	1	PLUG HEX SOCKET 3/4-NPT SS DRYSEAL	514920	P
30	4	PLUG M10 X 10 MM SOCKET HEAD	820008	P
31	12	WASHER SCHNORR D12 VS SERIES ZPY	513006	P
32	8	SCREW SHC M12 X 1.75 X 30 CL 12.9 BD	822002	P
33	8	WASHER SCHNORR D6 VS SERIES ZPY	513004	P
34	8	SCREW SHC M6 X 1.05 X 20 CL 12.9 ZP	515807	P
35	4	WASHER SCHNORR D10 VS SERIES ZPY	513005	P
36	4	SCREW SHC M10 X 1.5 X 25 CL 12.9 ZP	515813	P
37	10	WASHER SCHNORR D6 VS SERIES ZPY	513003	P
38	2	SCREW SHC M6 X 1.0 X 20 CL 12.9 BD	515804	P
39	2	SCREW HHC M6 X 1.0 X 12 ZP GREEN	518355	P
40	4	SCREW SHC M12 X 1.75 X 55 CL 12.9 BD	515888	P
41	10	SCREW DRIVE NO. 7 X 3/16 LG ZP	32673	P
42	1	WIRING DIAGRAM	518372	P
43	1	MANUAL OPERATOR'S	M3882	P

ITEM TYPE "P" EXIST IN PHANTOM BOM (MX175X04)
ITEM TYPE "N" IS A NORMAL ITEM UNDER INDIVIDUAL ASM P/N

** - SEE NAMEPLATE STAMPING DETAIL #2

PART NUMBER		TYPE	FRAME	FORCE/LBS	FORCE/KG	RPM	HZ	VOLTS	AMP	PH	Watts	HP	DUTY	L.R. CODE	SF	INS CLASS	MAX AMB	RISE BY RES	IP
MX175X04	**	**	75	9750	4420	1500	50	220-240/380-415	7.3/4.3	3	1885	2.50	CONT	H	1.15	F	55°C	90°C	IP68
MX175C04	**	**	75	9750	4420	1800	60	220-240/440-480	7.4/3.7	3	1885	2.50	CONT	K	1.15	F	55°C	90°C	IP68
MX175F04	**	**	75	9750	4420	1800	60	575-800V	3.0	3	1885	2.50	CONT	K	1.15	F	55°C	90°C	IP68

MANUFACTURING NOTES:
1) SET ECCENTRIC WEIGHTS AT 80%
2) STANDARD PAINT SCHEME
CASE MOUNTING
END COVERS & JACK PREPARED
TERMINAL BOX COVER BLACK, PREPARED.

NOTES:
1) ALL DIMENSIONS ARE GIVEN IN MILLIMETERS (INCHES)
2) ALL DIMENSIONS ARE FOR REFERENCE PURPOSES ONLY.
3) MOUNTING SURFACE OF EQUIPMENT FOR VIBRATOR IS TO BE FLAT WITH IN CHM LOG AND MUST BE TIGHT.
4) OVERLOAD PROTECTION REQUIRED BY CONTACT NATIONAL ENGINEERING.
5) WEIGHT: 135.48 KILOGRAMS.

SHEET 1 OF 2

Copyright 2013 North Engineering. All rights reserved. Covered by USA and foreign patents pending and issued. © and ® indicate trademarks of North Engineering.

NORTH ENGINEERING-USA NORTHPOINT, IL, USA		DRAWN: JLD DATE: 04/18/13
TITLE MX175X04-9750 75 FRAME 3PH 4 POLE FOR CLASS 1 LOCATIONS		CHECKED: JLD DATE: 06/25/13
DRAWING NUMBER PH12508		APPROVED: JLD DATE: 06/25/13 SCALE: 1:1

REVISION